

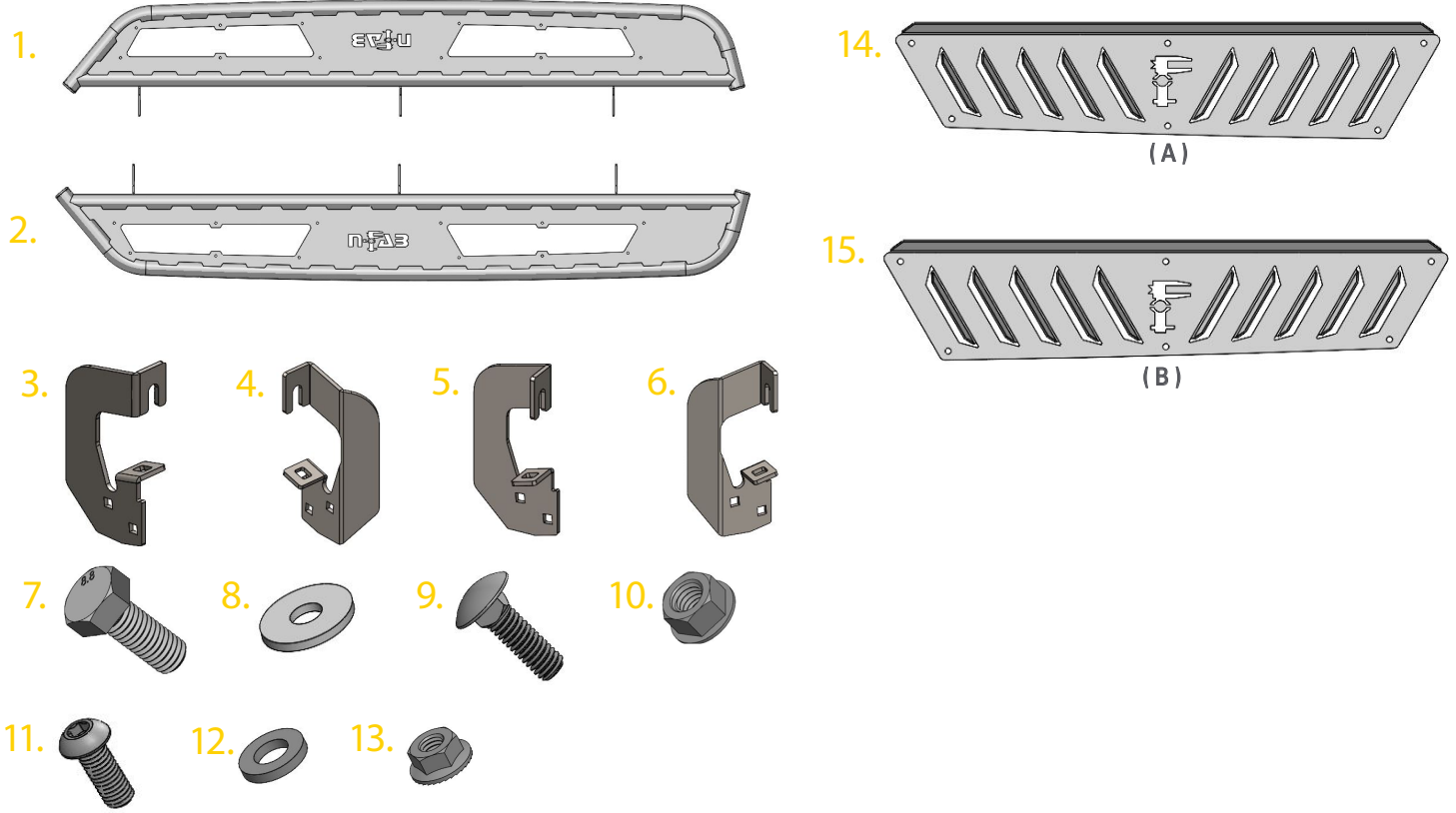


DESERT BORN, ROAD READY.™

PART# NBC15T-TX  
15-19 TAHOE/YUKON 4DR

ROAN RUNNING BOARD  
INST-02246

## Components and Hardware: HWKT-12711X / HWKT-09617X



### Components and Hardware:

1. Driver side running board.....	(1)
2. Passenger side running board.....	(1)
3. Driver side mounting bracket.....	(2)
4. Driver side rear bracket.....	(1)
5. Passenger side bracket.....	(2)
6. Passenger side rear bracket.....	(1)
7. M8x20mm hex head bolt.....	(12)
8. M8 flat washer.....	(12)
9. 3/8"x1" carriage bolt.....	(12)
10. 3/8" flanged hex nut.....	(12)
11. M6x16 button head bolt.....	(24)
12. M6 flat washer.....	(24)
13. M6 flanged hex nut.....	(24)
14. Step plate (A).....	(2)
15. Step plate (B).....	(2)

### Tools for Installation:

- 9/16 socket
- 13mm socket
- 10mm socket
- #4 hex socket
- Ratchet wrench



DESERT BORN, ROAD READY.™

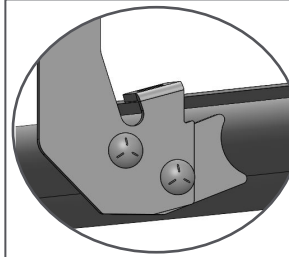
PART# NBC15T-TX  
15-19 TAHOE/YUKON 4DR

ROAN RUNNING BOARD  
INST-02246

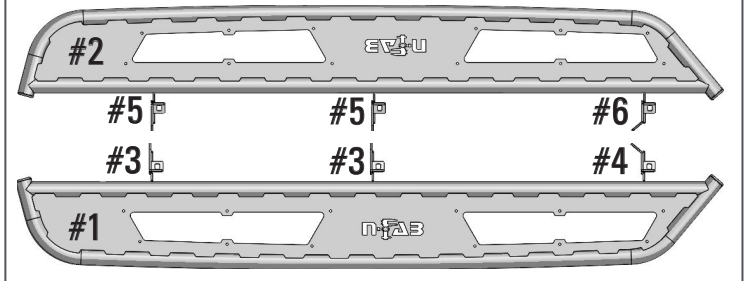
# INSTALL

Step 1. Attach (#3)x2 and (#4)x1 mounting bracket to (#1) driver side step and loosely fasten using (#9)x6 3/8" carriage bolts and (#10)x6 3/5" hex nuts.

Step 2. Attach (#5)x2 and (#6)x1 mounting bracket to (#2) passenger side step and loosely fasten using (#9)x6 3/8" carriage bolts and (#10)x6 3/5" hex nuts.

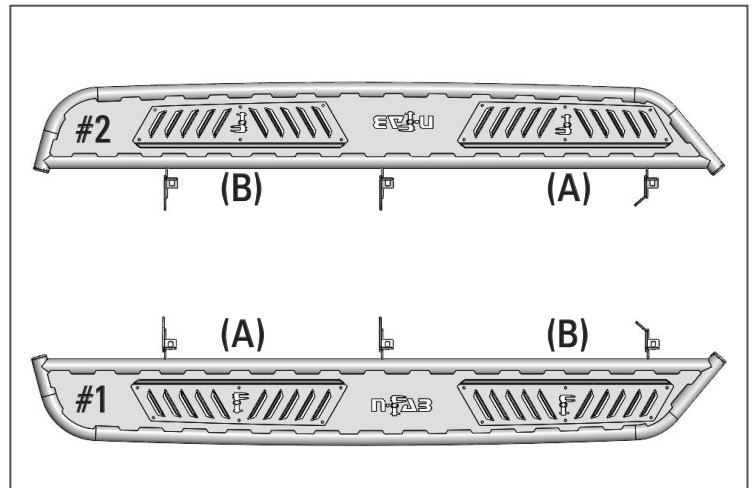
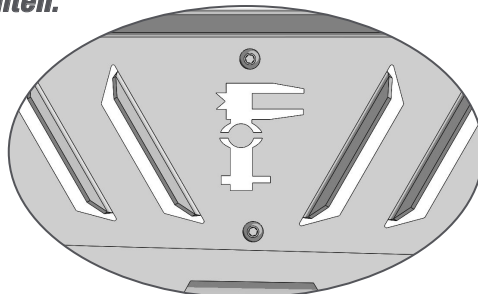


**NOTE:** The bracket will attach to the back side of welded flanged on main tube so the threaded part of the carriage bolt points towards the rear of vehicle.



Step 3. Install step plate (A) and (B) to (#1) driver side board and (#2) passenger side board and fasten using (#11) M6x16mm button , (#12) M6 flat washer and (#13) M6 hex nut to (5 ft/lbs) torque.

**NOTE:** Do not over tighten.



Step 4. Lift (#1) driver side running board into place, aligning brackets with OE mounting locations and loosely fasten using (#7)x6 M8x20mm hex bolt and (#8)x6 M8 flat washer. The use of Jack stands or an associate is recommended for this step.

Step 5. Next, tighten mounting bracket hardware to (18-20 ft/lbs) of torque.





DESERT BORN, ROAD READY.™

PART# NBC15T-TX  
15-19 TAHOE/YUKON 4DR

ROAN RUNNING BOARD  
INST-02246

## INSTALL

Step 6. There will be ½" of adjustment in the mounting bracket. Adjust to desired position, be sure board is level to the ground and tighten to (30-35 ft/lbs).

Step 7. Repeat mounting process for (#2) passenger side board. **⚠** *There will be AC lines running down the inside of the body on passenger side. Take your time not to pinch or damage any lines.*

